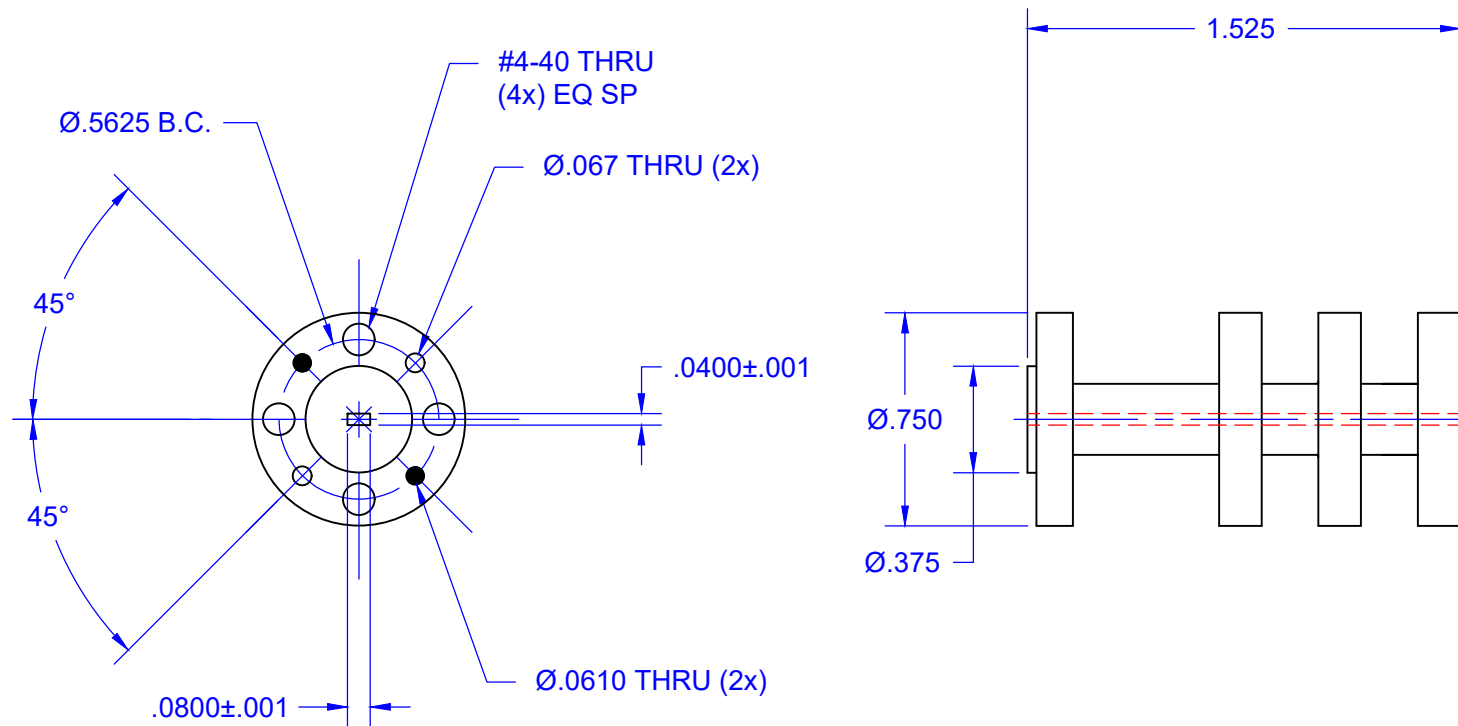
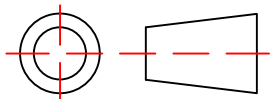


REVISIONS			
REV	DESCRIPTION	DATE	APPROVED
--	--	--	--



--	--	MATERIAL: 6061-T6 ALUMINUM		--
QTY	PART NUMBER	DESCRIPTION		ITEM
UNLESS OTHERWISE SPECIFIED ALL SURFACES $\sqrt{32}$		 THIRD ANGLE PROJECTION		
DIMENSIONS ARE IN INCHES TOLERANCES ARE: DECIMALS: .1234 +/- .0005 .123 +/- .005 .12 +/- .01 ANGLES: +/- .0 DEGREES				
ALL THREADS TO BE 2A OR 2B		SHEET NO.	OF	SIZE
REF DWG#: --		1	1	A
		DATE: 6/26/2019		DWG NO
		DRAFTING: C.C.		Mi-Wave Millimeter Products Inc. 581F/387 OUTLINE
		APPROVED: M.S.		
		DATE: 6/26/2019		25584